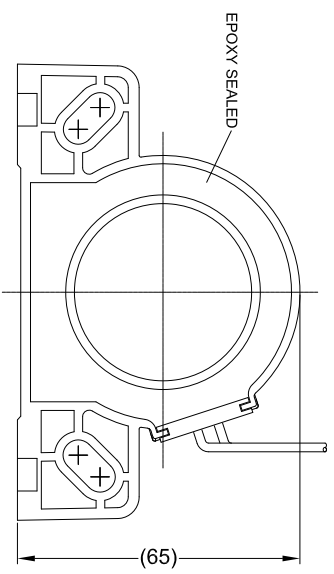
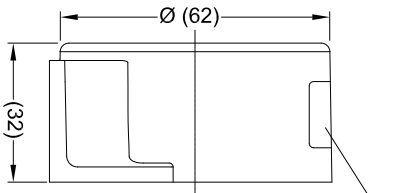
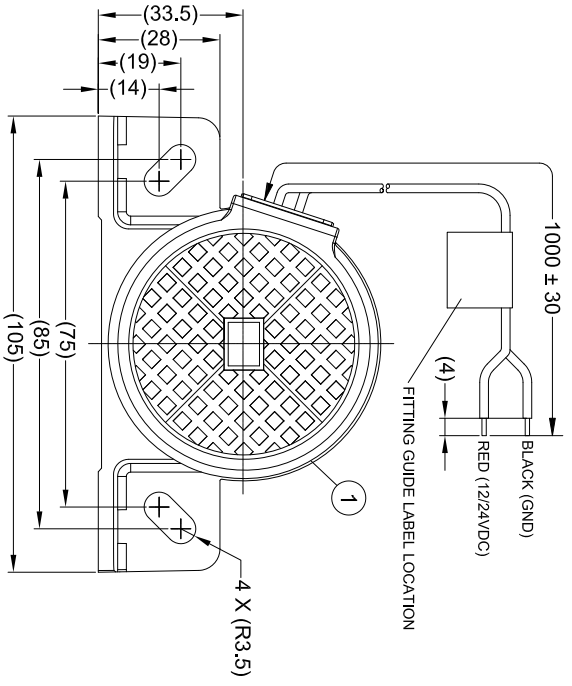


ITEM	STOCK CODE	QTY	DESCRIPTION
1	(# TBD)	1	BBS-82 ALARM ONLY
2	(# TBD)	1	ALARM WARNING STICKER (NOT SHOWN)
3	(# TBD)	1	FITTING INSTRUCTIONS (NOT SHOWN)

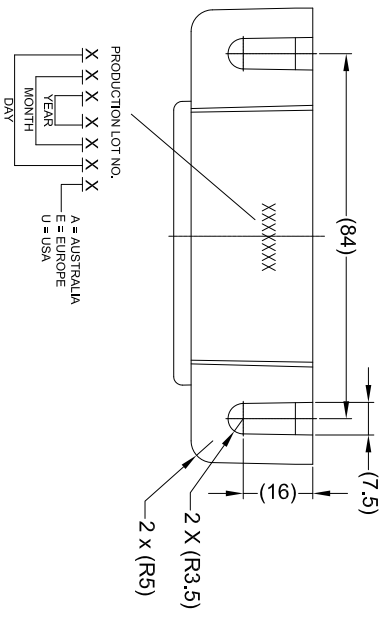


**SPECIFICATION**

RATED VOLTAGE: 12 AND 24 VOLTS DIRECT CURRENT (WORKING VOLTAGE RANGE 9 THRU 32 VOLTS)  
 RATED CURRENT: 0.2 AMPERES OR LESS  
 SOUND PRESSURE: 82±4 DECIBELS AT TEST VOLTAGE OF 14 AND 28 VOLTS  
 INTERMITTENCE: 80±10 CYCLES PER MINUTE AT TEST VOLTAGES 14 AND 28 VOLTS  
 TONE: WHITE SOUND(BBS)  
 ENVIRONMENTAL TEST: SUBJECT TO SAE J994

- NOTES:**
1. FINISH: MATT BLACK
  2. MATERIAL: ABS PLASTIC
  3. DIMENSIONS ARE FOR REFERENCE ONLY.

PROPRIETARY NOTICE  
 THIS DESIGN AND TECHNICAL INFORMATION APPEARING ON THIS DRAWING IS THE PROPERTY OF BRIGADE ELECTRONICS PLC, AND IS DISCLOSED IN CONFIDENCE. IT IS NOT TO BE COPIED, REPRODUCED, REVEALED TO OR APPROPRIATE BY OTHERS, EITHER IN WHOLE OR IN PART WITHOUT THE EXPRESS WRITTEN CONSENT OF BRIGADE ELECTRONICS PLC.



Item#	Quantity	Title/Name, designation, material, dimension etc	Article No./Reference
Designed by		Approved by - date	Scale
MUBTLER		DIERBA	N/A
BRIGADE ELECTRONICS		Units	Date
		MM	14/09/2010
		1	Edition
		BE-001228-00-10	A
			Sheet
			1/1

ASSEMBLY PLANT REF: BA590-82